

PRICE LIST



*Giulietta*





# NEW ALFA GIULIETTA

## STYLE

- Aerodynamic design
- Sleek lines
- Coupé style
- Rear spoiler
- Sporty front seats
- High quality Italian upholsteries

## EFFICIENCY

- Alfa MultiAir engine (up to 10% less emissions)
- Second-generation MultiJet diesel engines
- ALFA TCT semi-automatic transmission
- Start&Stop
- Gear Shift Indicator



## COUPÉ LOOKS WITH 5-DOOR PRACTICALITY

### SAFETY & TECHNOLOGY

- Euro NCAP 5-star rating\*
- 6 airbags
- VDC with Hill Holder and Electronic Q2 differential
- Uconnect™ colour touchscreen infotainment system with Bluetooth® and DAB radio
- Tyre Pressure Monitoring System (TPMS)
- Front and rear parking sensors

\*From 2010 assessment

### DYNAMICS

- Alfa D.N.A. (Vehicle's driving mode selector)
- Alfa Active Steering with Dual Pinion
- Compact chassis
- Pre-Fill braking system
- MacPherson Strut independent front suspension
- Multilink independent rear suspension





## DESIGN AND FUNCTIONALITY

- Three-spoke leather steering wheel with central aluminium insert inspired by the Alfa Romeo grille.
- Clean contemporary style dashboard with driver focused Uconnect™ colour touchscreen infotainment system.
- High quality Italian upholsteries with matching door panel and dashboard inserts.
- Sporty front seats with enveloping and supportive design.
- Available in cloth, leather and microfibre, leather and Alcantara® or full sports leather upholsteries.
- Choice of 11 exterior colours including the new Matte Magnesium Grey\* and the exclusive 8C Red paint.

\*Matte Magnesium Grey paint available on Quadrifoglio Verde model only



- Alfa D.N.A. – derived from racing technology, Alfa D.N.A. is the exclusive Alfa Romeo driving mode selector which perfectly adapts the vehicle’s performance to suit both the driver’s style and road conditions. There is a choice of three modes: DYNAMIC which optimises performance, NATURAL for optimum fuel economy and ALL-WEATHER for tackling bad weather and low grip conditions. It’s simple and intuitive, just flick the switch near the gear knob to change the setup of the engine, brakes, steering and accelerator to suit the driving conditions.
- ALFA TCT – this is the innovative twin dry clutch semi-automatic transmission, consisting of two gear boxes in parallel that allow the next gear to engage while the previous one is still engaged. It therefore offers continuous torque delivery without losing power when shifting gears, making them faster and slicker. The result is a driving comfort and sporty feel that far surpasses those offered by traditional automatic transmissions, coupled with improved efficiency and lower fuel consumption.
- UCONNECT™ – an advanced multimedia system that integrates all of the vehicle’s technological functions in a single device. Even easier, you can operate the colour touchscreen with the touch of a finger or simply your voice thanks to its voice recognition. The Uconnect™ 5" colour touchscreen allows you to manage the DAB radio, media player (via USB or Aux-In) and phone\*\* (Bluetooth™ hands free with SMS reader). The Uconnect™ 6.5" Radio Nav offers the additional features of a GPS navigation system with preloaded 3D maps and SD card reader.



\*\*List of compatible mobile phones is available online at [www.alfaromeo.co.uk](http://www.alfaromeo.co.uk)

# PRICES AND STANDARD EQUIPMENT

	VERSION CODE	BASIC PRICE	VAT	RETAIL PRICE	OTR CHARGES	TOTAL OTR
1.4 TB 120 hp Progression	191.B5E.1	£14,674.56	£2,934.91	£17,609.47	£840.53	£18,450.00
1.4 TB 120 hp Distinctive	191.C5E.1	£15,716.23	£3,143.25	£18,859.48	£840.53	£19,700.00
1.4 TB MultiAir 150 hp Sprint	191.S5N.1	£16,562.06	£3,312.41	£19,874.47	£695.53	£20,570.00
1.4 TB MultiAir 170 hp Distinctive	191.C5F.1	£16,978.73	£3,395.75	£20,374.48	£695.53	£21,070.00
1.4 TB MultiAir 170 hp Exclusive	191.D5F.1	£18,437.06	£3,687.41	£22,124.47	£695.53	£22,820.00
1.4 TB MultiAir 170 hp QV Line	191.D5F.1	£19,895.39	£3,979.08	£23,874.47	£695.53	£24,570.00
1.4 TB MultiAir 170 hp ALFA TCT Exclusive	191.D5G.1	£19,624.56	£3,924.91	£23,549.47	£695.53	£24,245.00
1.4 TB MultiAir 170 hp ALFA TCT QV Line	191.D5G.1	£21,082.89	£4,216.58	£25,299.47	£695.53	£25,995.00
1750 TBi 240 hp ALFA TCT Quadrifoglio Verde	191.C5C.1	£22,878.73	£4,575.75	£27,454.48	£875.53	£28,330.00
1.6 JTD <sub>M-2</sub> 120 hp Progression	191.B5R.1	£15,670.39	£3,134.08	£18,804.47	£695.53	£19,500.00
1.6 JTD <sub>M-2</sub> 120 hp Distinctive	191.C5R.1	£16,712.06	£3,342.41	£20,054.47	£695.53	£20,750.00
1.6 JTD <sub>M-2</sub> 120 hp Exclusive	191.D5R.1	£18,170.39	£3,634.08	£21,804.47	£695.53	£22,500.00
2.0 JTD <sub>M-2</sub> 150 hp Distinctive	191.C5S.1	£17,695.39	£3,539.08	£21,234.47	£695.53	£21,930.00
2.0 JTD <sub>M-2</sub> 150 hp Exclusive	191.D5S.1	£19,153.73	£3,830.75	£22,984.48	£695.53	£23,680.00
2.0 JTD <sub>M-2</sub> 150 hp QV Line	191.D5S.1	£20,612.06	£4,122.41	£24,734.47	£695.53	£25,430.00
2.0 JTD <sub>M-2</sub> 175 hp ALFA TCT Exclusive	191.D5T.1	£20,953.73	£4,190.75	£25,144.48	£695.53	£25,840.00
2.0 JTD <sub>M-2</sub> 175 hp ALFA TCT QV Line	191.D5T.1	£22,412.06	£4,482.41	£26,894.47	£695.53	£27,590.00

	START&STOP	ENGINE CAPACITY (CC)	HP	0 - 62 MPH (SEC)	TOP SPEED (MPH)	INSURANCE GROUP	EMISSIONS CO <sub>2</sub> (G/KM)	URBAN MPG (L/100KM)	EXTRA URBAN MPG (L/100KM)	COMBINED MPG (L/100KM)	BIK RATE (BENEFIT IN KIND)
1.4 TB 120 hp Progression/Distinctive	STD	1368	120	9.4	121	17/16	144	34.9 (8.1)	55.4 (5.1)	45.6 (6.2)	23%
1.4 TB MultiAir 150 hp Sprint	STD	1368	150	8.2	130	20	127	38.2 (7.4)	64.2 (4.4)	51.4 (5.5)	20%
1.4 TB MultiAir 170 hp Distinctive/Exclusive/QV Line	STD	1368	170	7.6	135	23/23/23	127	38.2 (7.4)	64.2 (4.4)	51.4 (5.5)	20%
1.4 TB MultiAir 170 hp ALFA TCT Exclusive/QV Line	STD	1368	170	7.6	135	23/23	114	44.8 (6.3)	68.9 (4.1)	57.7 (4.9)	17%
1750 TBi 240 hp ALFA TCT Quadrifoglio Verde	N/A	1742	240	6.0	152	33	157	29.7 (9.5)	54.3 (5.2)	41.5 (6.8)	26%
1.6 JTD <sub>M-2</sub> 120 hp Progression/Distinctive/Exclusive	STD	1598	120	10.0	121	18/18/18	99	60.1 (4.7)	88.3 (3.2)	74.3 (3.8)	17%
2.0 JTD <sub>M-2</sub> 150 hp Distinctive/Exclusive/QV Line	STD	1956	150	8.8	130	23/24/24	110	56.5 (5.0)	76.4 (3.7)	67.3 (4.2)	20%
2.0 JTD <sub>M-2</sub> 175 hp ALFA TCT Exclusive/QV Line	STD	1956	175	7.8	136	24/24	113	55.4 (5.1)	74.3 (3.8)	65.7 (4.3)	20%

PROGRESSION	DISTINCTIVE	EXCLUSIVE	QV LINE	QUADRIFOGLIO VERDE
<ul style="list-style-type: none"> <li>• 16" 5 Double spoke alloy wheels with 205/55 R16 tyres</li> <li>• Progression cloth upholstery</li> <li>• Basalt trim inserts</li> <li>• Alfa D.N.A. (Vehicle's driving mode selector)</li> <li>• Uconnect™ 5" colour touchscreen infotainment system with: <ul style="list-style-type: none"> <li>- DAB Radio</li> <li>- Bluetooth® hands-free system</li> <li>- CD player, USB, Aux-in or Bluetooth® audio streaming</li> <li>- Smartphone connectivity</li> <li>- Voice commands and SMS reader (text to speech)</li> <li>- 6 speakers</li> </ul> </li> <li>• Manual climate control</li> <li>• TPMS (Tyre Pressure Monitoring System)</li> <li>• LED Daytime Running Lights</li> <li>• Rear cluster LED lights</li> <li>• Electrically heated and adjustable body coloured wing mirrors</li> <li>• Start&amp;Stop technology</li> <li>• Height adjustable driver seat</li> <li>• Front and rear electric windows</li> <li>• Rear spoiler</li> <li>• Body coloured bumpers</li> <li>• Sports dials with red illumination</li> <li>• Leather steering with phone and radio controls</li> <li>• Multifunctional display and trip computer</li> <li>• VDC (ABS + ASR + EBD + Brake Assistant) with Hill Holder</li> <li>• Electronic Q2</li> <li>• 6 Airbags – driver, passenger, front side &amp; window</li> <li>• Front airbag deactivation on passenger's side</li> <li>• Isofix attachments for child seat protection</li> <li>• 60/40 split folding rear seats</li> <li>• Alfa code immobiliser</li> <li>• Safe lock</li> <li>• Electronic key with remote central locking and boot release</li> <li>• Diesel Particulate Filter (DPF) – Diesel only</li> <li>• Space saver 16" steel spare wheel</li> </ul>	<p><b>As Progression plus:</b></p> <ul style="list-style-type: none"> <li>• 16" Turbine design alloy wheels with 205/55 R16 tyres</li> <li>• Competizione cloth upholstery</li> <li>• Quartz trim inserts</li> <li>• Rear parking sensors</li> <li>• Cruise control</li> <li>• Dual zone automatic climate control</li> <li>• Front fog lights</li> <li>• Chrome effect window sills</li> <li>• Chrome effect wing mirrors</li> <li>• Sports dials with white illumination</li> <li>• Alarm system</li> <li>• Height adjustable passenger seat</li> <li>• Front armrest with storage compartment</li> <li>• Storage pockets behind front seats</li> <li>• Cooled glove box</li> </ul> <p style="text-align: center;"><b>SPRINT</b></p> <p><b>As Progression plus:</b></p> <ul style="list-style-type: none"> <li>• 17" 5 Hole design alloy wheels with 225/45 R17 tyres</li> <li>• Cloth &amp; Alcantara® upholstery with stitched 'Sprint' headrest logo</li> <li>• Darkflair Fire trim inserts</li> <li>• Carbon effect dashboard and door panels</li> <li>• Sports dials with white illumination</li> <li>• Sports leather steering wheel (with red stitching)</li> <li>• Floor mats with red stitching</li> <li>• Darkened interior headlining</li> <li>• Dark tinted windows</li> <li>• Side skirts</li> <li>• Sports rear DAM</li> <li>• Oversized exhaust tip</li> <li>• Front fog lights</li> <li>• Darkened headlights</li> <li>• Dark Anthracite exterior finishing (front grille, door mirrors, door handles &amp; fog light bezels)</li> <li>• Sprint badge</li> <li>• Space saver 17" steel spare wheel</li> </ul>	<p><b>As Distinctive plus:</b></p> <ul style="list-style-type: none"> <li>• 17" Burnished double spoke design alloy wheels with 225/45 R17 tyres</li> <li>• Leather and microfibre upholstery</li> <li>• Darkflair Fire trim inserts</li> <li>• Visibility pack <ul style="list-style-type: none"> <li>- Electric folding wing mirrors</li> <li>- Electrochromic rear view mirror with deactivation button</li> <li>- Rain dusk and condensation sensors</li> </ul> </li> <li>• Electric lumbar adjustment on driver and passenger seats</li> <li>• Rear armrest with storage compartment, third rear head restraint and through-load system</li> <li>• Sports suspension</li> <li>• Side skirts</li> <li>• Dark tinted windows</li> <li>• Darkened headlights</li> <li>• Satin effect wing mirrors</li> <li>• Aluminium sports pedals</li> <li>• Aluminium kick plates</li> <li>• Flat-bottomed sports leather steering wheel (with red stitching)</li> <li>• Darkened interior headlining</li> <li>• Floor mats with red stitching</li> <li>• Space saver 17"/18" steel spare wheel</li> </ul>	<p><b>As Exclusive plus:</b></p> <ul style="list-style-type: none"> <li>• 18" Turbine design alloy wheels with dark titanium finish with 225/40 R18 tyres</li> <li>• Leather and Alcantara® sports upholstery</li> <li>• Uconnect™ upgrade with 6.5" colour touchscreen, SatNav &amp; DAB: <ul style="list-style-type: none"> <li>- Embedded GPS navigation system</li> <li>- Preloaded 3D maps</li> <li>- Advanced voice commands</li> <li>- SD card reader (replaces CD player)</li> </ul> </li> <li>• Front parking sensors</li> <li>• Red Brembo brake calipers with uprated brake discs</li> <li>• Flat-bottomed sports leather steering wheel (with white stitching)</li> <li>• Dark anthracite exterior finishing (front grille, door mirrors, door handles and fog light bezels)</li> <li>• Sports kick plates</li> <li>• QV Line badges</li> <li>• Quadrifoglio Verde floor mats</li> </ul>	<p><b>As QV Line plus:</b></p> <ul style="list-style-type: none"> <li>• Quadrifoglio Verde leather &amp; Alcantara® sports front seats with integrated headrest*</li> <li>• Lowered sports suspension</li> <li>• Oversized twin exhausts tips</li> <li>• Sound intake generator</li> <li>• ALFA TCT semi-automatic transmission</li> <li>• Steering wheel paddles for ALFA TCT</li> <li>• Specific instrument cluster with integrated QV logo</li> <li>• Quadrifoglio Verde exterior badging</li> </ul>

\*no armrest and with manual lumbar adjustment

# STANDARD AND OPTIONAL EQUIPMENT – DIMENSIONS

Standard • Optional ◦ Not available - Footnote Δ

WHEELS	PROGRESSION	SPRINT	DISTINCTIVE	EXCLUSIVE	QV LINE	QUADRIFOGLIO VERDE	CODE
16" 5 Double spoke design alloy wheels with 205/55 R16 tyres	•	-	-	-	-	-	432
16" Turbine design alloy wheels with 205/55 R16 tyres	£410.00	-	•	-	-	-	431
17" 5 Hole design alloy wheels with 225/45 R17 tyres	-	•	-	-	-	-	5YN
17" Burnished double spoke design alloy wheels with 225/45 R17 tyres	-	-	£490.00	•	-	-	421
17" Multi-spoke design alloy wheels with 225/45 R17 tyres	-	-	£490.00	-	-	-	433
17" Turbine design alloy wheels with 225/45 R17 tyres	-	-	£490.00	£410.00	-	-	420
18" Turbine design alloy wheels with dark titanium finish with 225/40 R18 tyres	-	-	-	-	•	•	55E
18" 5 Hole design alloy wheels with 225/40 R18 tyres	-	-	£650.00	£650.00 <sup>(1)</sup>	£650.00	£450.00	439
18" 5 Hole design alloy wheels with dark glossy finish with 225/40 R18 tyres	-	-	-	-	-	£450.00	5FB
18" Turbine design alloy wheels with 225/40 R18 tyres	-	-	£650.00	£650.00 <sup>(1)</sup>	-	-	435
18" Multi-spoke design alloy wheels with 225/40 R18 tyres	-	-	£650.00	£650.00 <sup>(1)</sup>	£650.00	£450.00	4AY
Space saver 17"/18" steel spare wheel	-	•	£0.00 <sup>(2)</sup>	•	•	•	4UE

EXTERIOR							
Solid black paint	•	•	•	•	•	•	5CF
Special paint	£510.00	£510.00	£510.00	£510.00	£510.00	£510.00	Δ <sup>(3)</sup>
Metallic paint	£510.00	£510.00	£510.00	£510.00	£510.00	£510.00	Δ <sup>(4)</sup>
Matte paint (Magnesio Grey)	-	-	-	-	-	£1,000.00	4H5
Exclusive paint (8C Red)	-	£1,900.00	£1,900.00	£1,900.00	£1,900.00	£1,900.00	270
Dark tinted windows	£210.00	•	£210.00	•	•	•	070
Electric double sunroof <sup>(5)</sup>	-	£1,200.00	£1,200.00	£1,200.00	£1,200.00	£1,200.00	400
Fog lights	£160.00	•	•	•	•	•	097
Side skirts	-	•	-	•	•	•	-
Sports suspension	-	-	-	-	•	•	-
Lowered sports suspension	-	-	-	-	-	•	-
Body coloured wing mirrors	•	-	-	-	-	-	-
Chrome effect wing mirrors	-	-	•	-	-	-	4YD
Satin effect wing mirrors	-	-	-	•	-	-	4RR
Dark Anthracite wing mirrors	-	•	-	-	•	•	-
Brembo braking system with Alfa Romeo red brake calipers <sup>(6)</sup>	-	-	£500.00	£500.00	•	•	4SU
Quadrifoglio Verde Carbon Pack (carbon mirror covers, carbon rear spoiler, enhanced side skirts, front & rear sports DAM)	-	-	-	-	-	£2,000.00	7K6

INTERIOR							
Progression cloth upholstery	•	-	-	-	-	-	-
Cloth and Alcantara® upholstery (with stitched 'Sprint' headrest logo)	-	•	-	-	-	-	-
Competizione cloth upholstery	-	-	•	-	-	-	-
Leather and microfibre upholstery	-	-	-	•	-	-	728
Leather and Alcantara® upholstery	-	-	-	-	-	•	732
Quadrifoglio Verde sports front seats with integrated headrest <sup>(14)</sup>	-	-	-	-	£600.00	•	60A
Sports leather upholstery <sup>(7)</sup>	-	-	£1,540.00	£1,540.00	£1,540.00	£1,540.00	212
Rear armrest with storage compartment, third rear head restraint and through-load system	-	-	£320.00	•	•	•	275
Front armrest	£160.00	£160.00	•	•	•	-	132
Height adjustable passenger seat	£160.00	£160.00	•	•	•	•	454
Electrically adjustable, heated front seats with electric lumbar adjustment and memory setting on driver's side	-	-	£1,250.00 <sup>(8/9)</sup>	£1,250.00 <sup>(8/9)</sup>	£1,250.00	£1,250.00	177/452
Electric lumbar adjustment on driver and passenger seats	-	-	£320.00	•	•	-	40Y



Alfa D.N.A. (standard)



Dual zone automatic climate control



Flat-bottomed sports leather steering wheel with white stitching



Electric front and rear windows (standard)



Radio controls on steering wheel (standard)



Rear armrest



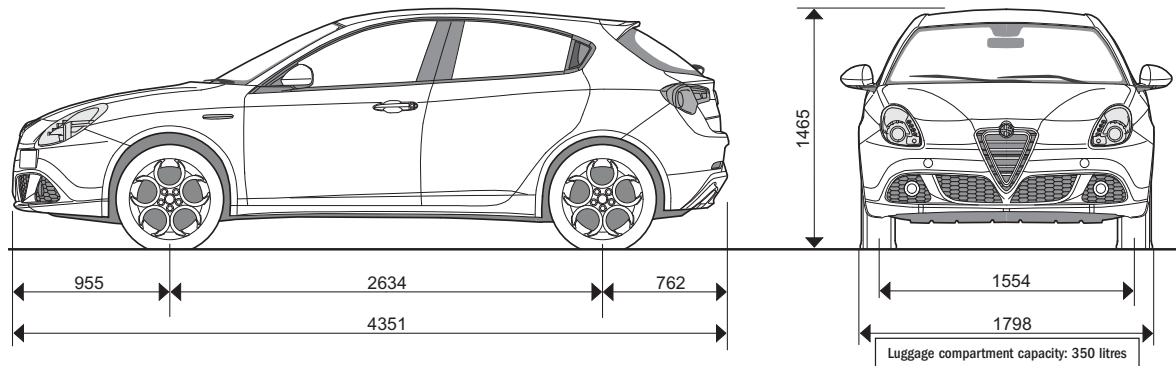
INTERIOR CONTINUED	PROGRESSION	SPRINT	DISTINCTIVE	EXCLUSIVE	QV LINE	QUADRIFOGLIO VERDE	CODE
Heated front seats	-	-	£260.00	£260.00	£260.00	£260.00	452
Aluminium sports pedals	-	£160.00	£160.00	•	•	•	4CS
Aluminum kick plate	-	£100.00	-	-	-	-	018
Floor mats <sup>(15)</sup>	£40.00	•	£40.00	•	•	•	396/5WQ
Smoking kit	£80.00	£80.00	£80.00	£80.00	£80.00	£80.00	989

COMFORT & SAFETY							
Bluetooth® hands-free system with voice recogniton and steering wheel controls	•	•	•	•	•	•	-
Rear parking sensors and multifunctional display	£260.00	£260.00	•	•	•	•	52B/4GF
Front parking sensors	-	-	£180.00	£180.00	•	•	508
TPMS (Tyre Pressure Monitoring System)	•	•	•	•	•	•	-
Dual zone automatic climate control	£450.00	£450.00	•	•	•	•	140
Cruise control	£260.00	£260.00	•	•	•	•	416
Steering wheel paddles for ALFA TCT gearbox	-	-	-	£260.00	£260.00	•	4WE
Headlight washer system	-	£210.00	£210.00	£210.00	£210.00	£210.00	102
Bi-Xenon adaptive front headlights with headlight washer system	-	£930.00	£930.00	£930.00	£930.00	£930.00	102/230
Alfa code immobiliser and alarm system	£260.00	•	•	•	•	•	213
Visibility Pack (Rain, dusk & condensation sensors, electrochromic rear view mirror with deactivation button and electric folding wing mirrors)	-	£320.00	£320.00	•	•	•	7DA
Comfort Pack (Front parking sensors, electric lumbar adjustment on driver and passenger seats, rear armrest with storage compartment, third rear head restraint and through-load system) <sup>(10)</sup>	-	-	£500.00	-	-	-	7RR
Luxury Pack (Sports leather upholstery, Uconnect™ 6.5" Colour Touchscreen Radio Nav, Electrically adjustable, heated front seats with electric lumbar adjustment and memory setting on driver's side) <sup>(11)</sup>	-	-	£3,250.00	£3,250.00	£2,200.00	£2,200.00	7DC
Premium Pack (Bi-Xenon adaptive front headlights with headlight washer system, Hi-Fi BOSE® sound system, Electric double sunroof)	-	-	£2,500.00 <sup>(12)</sup>	£2,500.00	£2,500.00	£2,500.00	7DD

TECHNOLOGY							
Alfa D.N.A.	•	•	•	•	•	•	-
DAB radio	•	•	•	•	•	•	-
Uconnect™ 5" colour touchscreen infotainment system (with USB, Aux-in and Bluetooth® audio streaming)	•	•	•	•	-	-	6Q3
Uconnect™ 6.5" colour touchscreen Radio Nav with preloaded 3D maps, Bluetooth® audio streaming, voice recogniton, USB, SD reader & Aux-in) <sup>(13)</sup>	-	£1,050.00	£1,050.00	£1,050.00	•	•	6ZB
Hi-Fi BOSE® sound system with digital amplifier (8 speakers + 1 central + subwoofer)	-	£820.00	£820.00 <sup>(12)</sup>	£820.00	£820.00	£820.00	718

**Δ Footnote**

(1) Not available with the 1.6 JTDm 120 hp engine. (2) Only available with 17" or 18" optional wheel. (3) Refer to colour table. (4) Refer to colour table. (5) On Distinctive versions - Option 400 must be ordered with option 5KW (Darkened interior headlining). Price of option 400 includes the price of option 5KW. (6) Only available with 17" or 18" alloy wheels. (7) On Distinctive versions - Option 212 must be ordered with option 275 (Rear armrest with storage compartment, third rear head restraint and through-load system). Price of option 212 does not include the price of option 275. (8) On Distinctive and Exclusive versions - Option 177 is only available in conjunction with option 212 and 275. Price of option 177 does not include the price of options 212 and 275. (9) Option 177 comes equipped with option 40Y (Electric lumbar adjustment on driver and passenger seats) as standard. (10) Not available to order in conjunction with option 7DC (Luxury Pack) (11) On Distinctive versions - Option 7DC must be ordered with option 275 (Rear armrest with storage compartment, third rear head restraint and through-load system). Price of option 7DC does not include the price of option 275. (12) When selected with 16" alloy wheel the space saver spare wheel is replaced with Fix&Go puncture kit. (13) With option 6ZB, the SD reader replaces the CD player. (14) Quadrifoglio Verde front seats with integrated headrest 60A can be removed for standard Leather & Alcantara front seats as a no cost option - standard seats include front armrest 132 and electric lumbar support 40Y as per QV Line. (15) Code 396 applies to standard floor mats. Code 5WQ applies to QV floor mats only available on QV line and Quadrifoglio Verde models.



Driver focused technology



Rear parking sensors



Uconnect™ 6.5" Radio Nav



Hi-Fi Bose® sound system

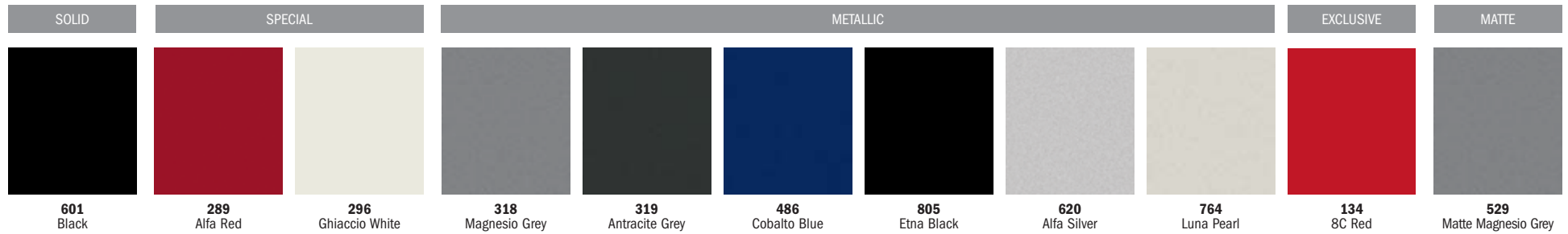


Bi-Xenon adaptive front headlights with headlight washer system



Front fog lights

# BODY COLOURS – SEATS – WHEELS – COLOUR COMBINATIONS



Standard • Optional ◦ Not available -

WHEELS	PROGRESSION	SPRINT	DISTINCTIVE	EXCLUSIVE	QV LINE	QUADRIFOGLIO VERDE
432 16" 5 Double spoke design alloy wheels with 205/55 R16 tyres	•	-	-	-	-	-
431 16" Turbine design alloy wheels with 205/55 R16 tyres	◦	-	•	-	-	-
5YN 17" 5 Hole design alloy wheels with 225/45 R17 tyres	-	•	-	-	-	-
421 17" Burnished double spoke design alloy wheels with 225/45 R17 tyres	-	-	◦	•	-	-
433 17" Multi-spoke design alloy wheels with 225/45 R17 tyres	-	-	◦	-	-	-
420 17" Turbine design alloy wheels with 225/45 R17 tyres	-	-	◦	◦	-	-
55E 18" Turbine design alloy wheels with dark titanium finish with 225/40 R18 tyres	-	-	-	-	•	•
439 18" 5 Hole design alloy wheels with 225/40 R18 tyres	-	-	◦	◦†	◦	◦
5FB 18" 5 Hole design alloy wheels with dark glossy finish with 225/40 R18 tyres	-	-	-	-	-	◦
435 18" Turbine design alloy wheels with 225/40 R18 tyres	-	-	◦	◦†	-	-
4AY 18" Multi-spoke design alloy wheels with 225/40 R18 tyres	-	-	◦	◦†	◦	◦

\*On Quadrifoglio Verde, interior trim 323 has the Quadrifoglio Verde sports front seats with integrated headrest (Opt. 60A) as standard. †Not available with the 1.6 JTDm.2 120 hp engine.

TRIM LEVELS	PROGRESSION	SPRINT	DISTINCTIVE		EXCLUSIVE		QV LINE	DISTINCTIVE - EXCLUSIVE - QV LINE			QUADRIFOGLIO VERDE			
Seat upholstery	Progression Cloth	Cloth and Alcantara® with Alfa Romeo logo	Competizione Cloth		Leather and Microfibre		Leather and Alcantara® with Alfa Romeo logo	Sports Leather			Leather and Alcantara® with Alfa Romeo logo	Sports Leather		
Seat colour	Black/Antracite	Black	Black/Antracite	Grey	Black/Antracite	Tan/Antracite	Black	Black	Red	Tan	Black	Black	Red	Tan
Door panels/ dashboard surround	Black/Black	Carbon	Black/Black	Black/Black	Black/Black	Tan/Black	Black/Black	Black/Black	Red/Red	Tan/Tan	Black/Black	Black/Black	Red/Red	Tan/Tan
Dashboard insert	Basalt	Carbon	Quartz		Darkflair Fire		Darkflair Fire	Quartz - Darkflair Fire*			Darkflair Fire	Darkflair Fire		
Steering wheel	Leather with black stitching	Leather with red stitching (320)	Leather with black stitching		Sports leather with red stitching		Sports leather with white stitching	Leather - Sports leather with red stitching**			Sports leather with white stitching	Sports leather with red stitching		
Interior code	198 (298)	307	689 (685)	168	341	343	323	408	401	465	323	923	901	470

SOLID PAINT														
601 Black (opt 5CF)	•	•	•	•	•	•	•	•	•	•	•	•	•	•

SPECIAL PAINT														
289 Alfa Red (opt 5CA)	°	°	°	°	°	°	°	°	-	°	°	°	-	°
296 Ghiaccio White (opt 5B2)	°	°	°	°	°	°	°	°	°	°	°	°	°	°

METALLIC PAINT														
318 Magnesio Grey (opt 5CC)	°	-	°	°	°	°	°	°	°	°	°	°	°	°
319 Antracite Grey (opt 5CD)	°	-	°	°	°	°	°	°	°	°	°	°	°	°
486 Cobalto Blue (opt 5DN)	°	-	°	°	°	°	°	°	-	°	°	°	-	°
620 Alfa Silver (opt 210)	°	-	°	°	°	°	°	°	°	°	°	°	°	°
764 Luna Pearl (opt 4SA)	°	-	°	°	°	°	°	°	°	°	°	°	°	°
805 Etna Black (opt 58B)	°	°	°	°	°	°	°	°	°	°	°	°	°	°

MATTE PAINT														
529 Matte Magnesio Grey (opt 4H5)	-	-	-	-	-	-	-	-	-	-	°	°	°	°

EXCLUSIVE PAINT														
134 8C Red (opt 270)	-	°	°	°	°	°	°	°	-	°	°	°	-	°

\*Quartz dashboard insert on Distinctive trim and Darkflair Fire dashboard insert on Exclusive and QV Line trims

\*\*Leather steering wheel on Distinctive trim and Sports leather steering wheel with red stitching on Exclusive and QV Line trims

# ENGINES

FEATURES	1.4 TB 120 hp	1.4 TB MultiAir 150 hp	1.4 TB MultiAir 170 hp	1.4 TB MultiAir 170 hp ALFA TCT	1750 TBI 240 hp ALFA TCT	1.6 JTDm-2 120 hp	2.0 JTDm-2 150 hp	2.0 JTDm-2 175 hp ALFA TCT
No. of cylinders, arrangement	4 in line							
Bore x stroke (mm)	72 x 84				83 x 80.5	79.5 x 80.5	83.0 x 90.4	83.0 x 90.4
Displacement (cc)	1368				1742	1598	1956	1956
Compression ratio	9.8:1				9.25:1	16.5:1		
Max. power output hp (kW - EC) at rpm	120 (88) 5000	150 (110) 5500	170 (125) 5500		240 (177) 5750	120 (88) 3750	150 (110) 3750	175 (128.5) 3750
Peak torque Nm (kgm - EC) at rpm	215 (22) 2500	250 (25.5) 2500	250 (25.5) 2500		340 (34.7) 2000	320 (32.6) 1750	380 (38.7) 1750	350 (35.7) 1750
<b>ELECTRICAL EQUIPMENT (12V)</b>								
Battery: Capacity (Ah)/Generator (A)	63/450				60/540	72/600		72/600
<b>TRANSMISSION</b>								
Drive	Front							
Number of gears	6+1R							
<b>TYRES</b>								
Standard version	205/55 R16	225/45 R17	205/55 R16		225/40 R18	205/55 R16		
<b>STEERING SYSTEM</b>								
Steering diameter kerb-to-kerb (m)	10.9							
<b>SUSPENSION</b>								
Front	MacPherson independent with anti-roll bar							
Rear	Multilink System							
<b>BRAKES</b>								
Front (mm)	281		305		330	281	305	
Rear (mm)	264				278	264		
<b>WEIGHTS - TANK CAPACITY</b>								
Fuel tank (lit.)	60							
Kerb weight DIN (kg)	1280	1290	1290	1305	1320	1310	1320	1335
<b>PERFORMANCE</b>								
Top speed (mph)	121	130	135		152	121	130	136
Acceleration (driver + 30 kg) 0-62 (s)	9.4	8.2	7.6	7.6	6.0	10.0	8.8	7.8
<b>FUEL CONSUMPTION - EMISSIONS*</b>								
Urban cycle mpg (l/100km)	34.9 (8.1)	38.2 (7.4)	38.2 (7.4)	44.8 (6.3)	29.7 (9.5)	60.1 (4.7)	56.5 (5.0)	55.4 (5.1)
Extra-urban cycle mpg (l/100km)	55.4 (5.1)	64.2 (4.4)	64.2 (4.4)	68.9 (4.1)	54.3 (5.2)	88.3 (3.2)	76.4 (3.7)	74.3 (3.8)
Combined cycle mpg (l/100km)	45.6 (6.2)	51.4 (5.5)	51.4 (5.5)	57.7 (4.9)	41.5 (6.8)	74.3 (3.8)	67.3 (4.2)	65.7 (4.3)
Exhaust emissions - CO <sub>2</sub> (g/km)	144	127	127	114	157	99	110	113
Emissions Standard	Euro 6							
Start&Stop	Standard	Standard	Standard	Standard	N/A	Standard	Standard	Standard
<b>TRIM LEVELS</b>								
PROGRESSION	£18,450	-	-	-	-	£19,500	-	-
SPRINT	-	£20,570	-	-	-	-	-	-
DISTINCTIVE	£19,700	-	£21,070	-	-	£20,750	£21,930	-
EXCLUSIVE	-	-	£22,820	£24,245	-	£22,500	£23,680	£25,840
QV LINE	-	-	£24,570	£25,995	-	-	£25,430	£27,590
QUADRIFOGLIO VERDE	-	-	-	-	£28,330	-	-	-

\*Fuel consumption and CO<sub>2</sub> values are obtained for comparative purposes in accordance with EC directives/regulations and may not be representative of real life driving conditions. Factors such as driving style, weather and road conditions may also have a significant effect on fuel consumption.

# ON THE ROAD CHARGES



## ON THE ROAD (OTR) CHARGES INCLUDE:

First 12 months government Vehicle Excise Duty depending on CO<sub>2</sub> emissions (see table below left), vehicle first registration fee (£55), number plate (£25.53) and delivery costs (£615).

## GRADUATED VEHICLE EXCISE DUTY (ROAD FUND LICENSE) VALID FROM 1ST APRIL 2015

The Graduated VED bands classify all new cars into one of 13 vehicle Excise Duty bands, depending on their type of fuel and carbon dioxide (CO<sub>2</sub>) emissions level, measured in grams per kilometre (g/km).

BAND	CO <sub>2</sub> EMISSIONS (G/KM)	PETROL AND DIESEL CAR FIRST YEAR RATE (£)	PETROL AND DIESEL CAR STANDARD RATE (£)
A	up to 100	0	0
B	101 to 110	0	20
C	111 to 120	0	30
D	121 to 130	0	110
E	131 to 140	130	130
F	141 to 150	145	145
G	151 to 165	180	180
H	166 to 175	295	205
I	176 to 185	350	225
J	186 to 200	490	265
K	201 to 225	640	290
L	226 to 255	870	490
M	over 255	1100	505

Source: [www.theaa.com/motoring\\_advice/car-buyers-guide/cbg\\_roadtax.html](http://www.theaa.com/motoring_advice/car-buyers-guide/cbg_roadtax.html)

## BENEFIT-IN-KIND TAXATION

The company car Benefit-in-Kind Taxation scale is linked to the CO<sub>2</sub> emissions level. The table right shows the percentage of the car price to be taxed (P11D value). Below you can also find a simple explanation useful to calculate the BIK.

### EXAMPLE OF HOW TO CALCULATE BIK

Look at the table, right, and find the percentage to be applied according the CO<sub>2</sub> emissions. The car's price to be taxed (P11D value) includes: Total Retail Price (Basic Price + VAT) + Number Plate (£25.53) + Delivery costs (£615) + Option (Including VAT)

Calculate the BIK as follows: P11D value x % of car price to be taxed

CO <sub>2</sub> EMISSIONS (G/KM)	% OF CAR'S PRICE TO BE TAXED	DIESEL SUPPLEMENTS
0-50	5%	0%
51-75	9%	0%
76-94	13%	16%
95-99	14%	17%
100-104	15%	18%
105-109	16%	19%
110-114	17%	20%
115-119	18%	21%
120-124	19%	22%
125-129	20%	23%
130-134	21%	24%
135-139	22%	25%
140-144	23%	26%
145-149	24%	27%
150-154	25%	28%
155-159	26%	29%
160-164	27%	30%
165-169	28%	31%
170-174	29%	32%
175-179	30%	33%
180-184	31%	34%
185-189	32%	35%
190-194	33%	36%
195-199	34%	37%
200-204	35%	37%
205-209	36%	37%
210 and above	37%	37%

For more information about the Company Car Benefit-In-Kind Taxation Charges see the Alfa Romeo website: [www.alfaromeo.co.uk](http://www.alfaromeo.co.uk)

# MOPAR PRODUCTS & SERVICES



The mission of Mopar® is to ensure customers of all brands within Fiat Chrysler Automobiles a satisfying ownership experience for the vehicle's entire life cycle, putting their after-sales service leadership and know-how at their service. Mopar® looks after cars from the moment they leave the dealership onwards, guaranteeing the customer the very highest level of service, employing cutting-edge technology and innovative, original and high-quality products.

## MANUFACTURER'S WARRANTIES

### 3 Year Manufacturer's Warranty

Your 3 year warranty comprises of a manufacturer's 24 month warranty and a further 12 months dealer warranty, guaranteeing your vehicle against any manufacturer's defects. These warranties give you complete peace of mind during the first 3 years of ownership so that should any components fail due to manufacturing defects these will be replaced with genuine Alfa Romeo parts, free of charge. Full terms and conditions are available on request and listed in your owner's manual.

### 8 Year Anti-Perforation Warranty

Any perforation of the bodywork due to corrosion will be replaced free of charge during the first 8 years.

### 3 Year Paintwork Warranty

In the unlikely event of any paintwork defects, due to faulty materials or manufacture, we will rectify these free of charge during the first 3 years.

## 3 YEARS FREE ROADSIDE ASSISTANCE

The Alfa Romeo Assistance Service provides help in the event of your vehicle developing a mechanical or electrical breakdown at either the roadside or your home. The service is designed to get your car moving as soon as possible. In the event that the fault cannot be fixed at the roadside, then your car will be taken to your nearest authorised dealership and you will be offered assistance to continue with your onward journey. Full terms and conditions are available on request.

The Alfa Romeo Assistance Service for customers is guaranteed 24 hours a day, every day of the year. If you require these services, dial the Freephone number 00800 0426 5337.

## EASY CARE SERVICING PLANS

The Easy Care servicing plan is a 3 year annual service plan applicable for every Alfa Romeo model† for one standard price. The plan includes all of your essential servicing requirements, containing three annual services for 3 years taken in accordance with the maintenance schedule shown. The price includes all the parts, labour and fluids required to perform the service schedule created for your car. For more information please contact your Alfa Romeo dealer.

### Servicing Schedule

PETROL	DIESEL	PRICE
9,000 mls	12,000 mls	<b>£499</b>
18,000 mls	24,000 mls	
27,000 mls	36,000 mls	

## ACCESSORIES & MERCHANDISE

An extensive range of genuine accessories and merchandise is available - please visit your local dealer or go to [www.alfaaccessories.com](http://www.alfaaccessories.com)



†Please note this Maintenance Plan excludes Alfa Romeo 4C and Alfa Romeo 4C Spider.

# FINANCIAL SERVICES

## ALFA ROMEO FINANCIAL SERVICES\*

Alfa Romeo Financial Services offers a comprehensive range of finance and insurance plans including Alfa Romeo Preferenza, traditional Hire Purchase, Guaranteed Asset Protection Insurance and SMART Repair Insurance. Please ask your Alfa Romeo dealer for more information or visit the [www.alfaromeo.co.uk](http://www.alfaromeo.co.uk) website. Written quotations available on request.

## ALFA ROMEO CONTRACT HIRE\*\*

Alfa Romeo Contract Hire provides hassle free motoring for private and business customers - you benefit from low initial outlay, regular rentals and no worry about disposing of your vehicle at the end of the contract. You can also include a full maintenance package within the monthly rental. For more information please contact your Alfa Romeo dealer. Written quotations available on request.



**FINANCIAL  
SERVICES**



**CONTRACT  
HIRE**

\*Alfa Romeo Financial Services is a trading style of FCA Automotive Services UK Ltd. FCA Automotive Services UK Ltd is authorised and regulated by the Financial Conduct Authority (Firm Reference Number 312683 and CCI-IP-421472). Credit available to anyone aged 18 or over subject to status. A guarantee may be required. Written quotations are available from Alfa Romeo Financial Services, PO Box 4465, Slough, SL1 0RW.

\*\*Alfa Romeo Contract Hire is a trading style of FCA Fleet Services UK Ltd. FCA Fleet Services UK Ltd holds Interim Permissions with the Financial Conduct Authority for credit purposes (CCI-IP-439467). Credit available to anyone aged 18 or over subject to status. A guarantee may be required. Contract Hire facilities are available subject to credit approval. Written quotations are available from Alfa Romeo Contract Hire, PO Box 4590, Slough, SL1 0WU.

# INFORMATION & NEWS

## ALFA ROMEO NEWSLETTER

The Alfa Romeo newsletter offers an exclusive insight into everything Alfa Romeo: from eagerly anticipated new models to celebrating the heritage of the brand. Get the latest news sent straight to your inbox by registering your details at:

**[WWW.ALFAROME.CO.UK/NEWSLETTER](http://WWW.ALFAROME.CO.UK/NEWSLETTER)**

## SOCIAL COMMUNITIES

Our social channels are a place for people to share their passion for Alfa Romeo with each other and us. With over 100,000 active members, it's your chance to join a community, discover breaking news, enter exclusive competitions and be a part of the Alfa Romeo story. Join the conversation on:



## TEST ME

**FOR FURTHER INFORMATION,  
TO FIND YOUR LOCAL DEALER  
AND TO BOOK A TEST DRIVE CONTACT US:**

**[WWW.ALFAROME.CO.UK](http://WWW.ALFAROME.CO.UK)**

**FREEPHONE 00 800 2532 0000  
(LINES OPEN MON - FRI 9AM - 6PM)**



[www.alfaromeo.co.uk](http://www.alfaromeo.co.uk)

**DOWNLOAD**

**Alfa Romeo InfoMobile**

The App that offers info, services and assistance



Available on the  
**App Store**



ANDROID APP ON  
**Google play**

**CALL**

**Alfa InfoMore**

00 800 2532 0000

Freephone number for info

**SHARE ON**

**SocialNetWall**

[socialnetwall.alfaromeo.com](http://socialnetwall.alfaromeo.com)



Products offered for sale may differ from those described or illustrated in this price list due to later production changes in specifications, components or place manufacture. The contents of this price list are therefore to be treated as representations as to the current availability of products as described, or as to products actually offered for sale. Alfa Romeo UK, a trading name of Fiat Chrysler Automobiles UK Ltd reserves the right to make changes at any time, without notice, to prices, colours, materials, equipment, specification and models and also to discontinued models. All details correct at time of going to print.

Alfa Romeo - Marketing - 02.9.0000.02 - S - 06/15 - Printed in England - Vario Press Limited

A brand of

**FCA**

FIAT CHRYSLER AUTOMOBILES